

Staebel Electric Profiling Shower Trolley User Manual

Product Code: 1213ST



Thank you for choosing Staebel Electric Profiling Shower Trolley

Your Shower Trolley belongs to a family of high-quality products intended to be used in a variety of care environments, such as senior/assisted living, special care facilities, medical facilities, hospitals, nursing homes, rehabilitation units and other types of healthcare settings. Do not hesitate to contact us in case of queries about the operation or maintenance of your Staebel equipment.

PLEASE READ THIS INSTRUCTION FOR USE THOROUGHLY.

Thoroughly read and understand this Instruction for Use (IFU) before using your Shower Trolley. Information from this IFU is essential for proper operation and maintenance of the equipment. Follow these to keep your product safe and to ensure the functioning of your equipment to your satisfaction. Some of the information from this IFU is important for your safety; therefore, please read and understand to prevent any injuries. The product may only be used for its intended purpose. Unauthorised modifications of the Staebel equipment may affect its safety. Staebel will not be held responsible for any accidents, incidents or lack of performance as a result of any such unauthorised modifications.

When using this product always follow the appropriate WARNINGS.

Report Unexpected Operations or Events.

In case of unexpected operations or events contact Staebel or your local Staebel representative. The Staebel contact information is printed on the bottom of the IFU.

Serious Incident

In case of a serious incident in relation to this medical device involving the user or the patient; the user or the patient must report this serious incident to the medical device manufacturer or the distributor. The user must always report such serious incident to the local competent authority.

In the European Union, the user should also report the serious incident to the local competent authority in the member state where they are located.

Servicing and Support

Your Shower Trolley should be checked once a year by qualified personnel to ensure the operating safety of your product. See Care and Preventive Checkups section. For further information please do not hesitate to contact Staebel or your local Staebel representative to receive comprehensive support and servicing to maximise long-term safety, reliability and value of the product. For replacement parts contact Staebel or your local Staebel representative. The Staebel contact information is included on the bottom of the IFU.

INTENDED USE

This equipment is intended for assisted hygiene care, especially for showering and transporting residents in a variety of care environments, such as senior/assisted living, special care facilities, medical facilities, hospitals, nursing homes, rehabilitation units and other healthcare settings. The equipment is intended specifically for indoor use.

This product should be used according to the intended purpose and these safety instructions. Everyone using this equipment should read and understand these instructions, which are included in this Instruction for Use (IFU). In case of doubts feel free to contact Staebel or your local Staebel representative at any time.

The Staebel Shower Trolley is intended to be used by appropriately trained caregivers familiar with the environment of care, as well as its common practices and procedures, and must follow the guidelines in the Instruction for Use (IFU). The transfer of residents to and from the Staebel Shower trolley can be performed by using a ceiling lift, the mobile passive lift or by means of a manual transfer. The Staebel Shower Trolley should only be used for intended purpose specified in these Instruction for Use. Use for any other purpose is prohibited.

Product lifetime

The expected product lifetime is ten (10) years depending on the storage conditions and the frequency of use.

The warranty period of the product is **three (3) years**.

Some product parts, such as casters, handset and the mattress, which are subjected to wear, may need to be replaced during the equipment lifetime according to information in the Instruction for Use (IFU). Parts must be assembled according to the guidelines in the Instruction for Use (IFU).

Transport damage

Upon delivery check the product and the packaging for damages.

Observe the delivery date: visible damages should be reported within 2 days after delivery and hidden damages within 7 days after delivery.

SAFETY INSTRUCTIONS

- To prevent explosion or fire never use this product in an oxygen rich environment, near heat sources or flammable anesthetic gases.
- To avoid tipping and falling do not use the equipment on floor with recessed drains, holes or slopes exceeding a ratio of 1:50 (1.15°).
- To prevent entrapment, make sure to keep the patient's hair, arms and feet close to the body during any movement.
- To prevent electric shock never use this device in close proximity to other electrical equipment.
- To prevent the device from tipping, do not raise or lower other equipment, close to it and pay attention to the stationary object when lowering or lifting.
- To prevent patient falls during transfer always pull the side rail up and lock it in the vertical position.
- To prevent injuries the patient must never be left unattended.
- To prevent patient falls or caregiver injuries make sure that there are two caregivers present during the transfer and showering of a patient if this is necessary according to the patient state.
- Use of this equipment adjacent to or stacked with other equipment should be avoided because it could result in improper operation. If such use is necessary, this equipment and the other equipment should be observed to verify that they are operating normally.

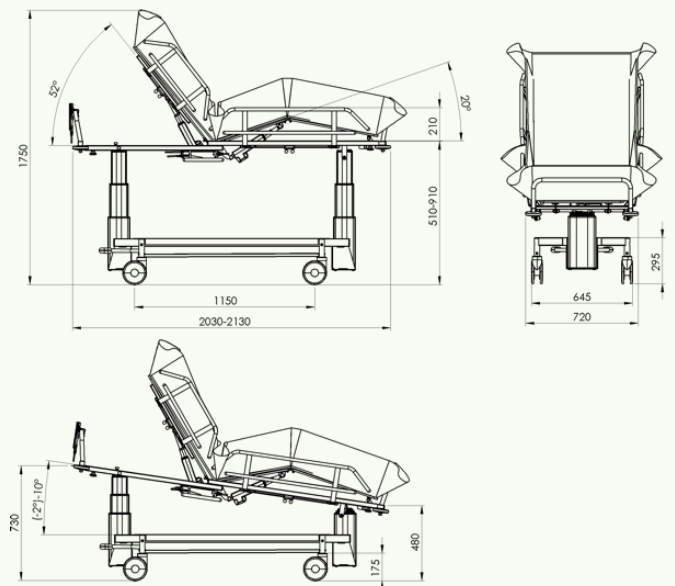
Parts Designation

1. Shower mattress
2. Head cushion
3. Drainage outlet
4. Drainage hose
5. Long side rails
6. Short side rails
7. Foot end rail
8. Head end rail
9. Bumper wheel
10. Shower trolley top
11. Safety mechanism
12. Caster
13. Front left directional caster
14. Central brake / straight steering
15. Lifting column
16. Electric actuator
17. Control box
18. Handset
19. Battery
20. Metal sheet base cover



Specifications

Product Code	1213ST
Shower trolley top Width	650 mm
Shower trolley top Length	1900 mm
Electric Hi-Lo	520 - 920 mm
Castors (Diameter)	150 mm
Top Inclination Trendelenburg	0° -to -2°
Trolley Top Inclination	0° -to -10°
Head Section Inclination	0° -to -52°
Length	2030 - 2130 mm
Width	810 mm
Weight	104 kg
SWL	200 kg



First use

Unpack the Staebel shower trolley. Shower mattress is transported upside down, remove the foil that holds the mattress and turn it around. Align the drainage outlet with the drainage hole on the shower trolley top and secure it with the drainage outlet and drainage nut to the shower trolley top. Take the drainage hose and screw it on the drainage outlet. Raise the side rails. Staebel shower trolley is ready for use.

PRODUCT USE:

Adjusting the headrest

With electric actuator: To raise headrest inclination press and hold UP arrow button in the upper row of the handset and set the desired position.

To lower headrest inclination press and hold DOWN arrow button in the upper row of the handset and set the desired position.

Raising and lowering

Raising and lowering of the electric shower trolley top is adjustable with handset.

To raise electric shower trolley top, press and hold the UP arrow button in the middle row of the handset and set the desired position.

To lower electric shower trolley top, press and hold the DOWN arrow button in the middle row of the handset and set the desired position.

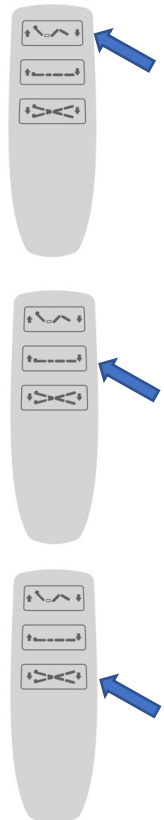
Shower trolley top inclination

Trendelenburg position: is adjustable with handset.

To adjust Trendelenburg position, press and hold the LEFT DOWN arrow button in the lower row of the handset and set the desired position.

Reverse Trendelenburg position / anti-Trendelenburg position:

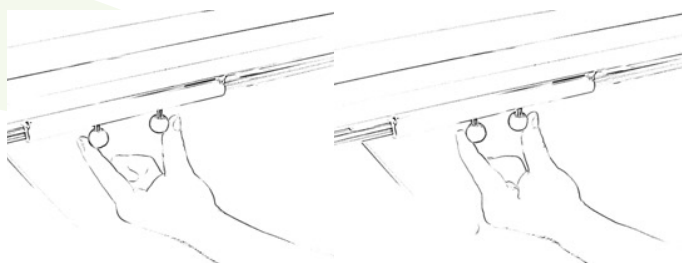
To adjust anti-Trendelenburg position, press and hold the RIGHT DOWN arrow button in the lower row of the handset and set the desired position.



Raising and lowering the side rails

For lowering the side rails use one hand to squeeze pins to the middle of the shower trolley top to release the side rail.

Pull the side rail up until it locks into the vertical position.

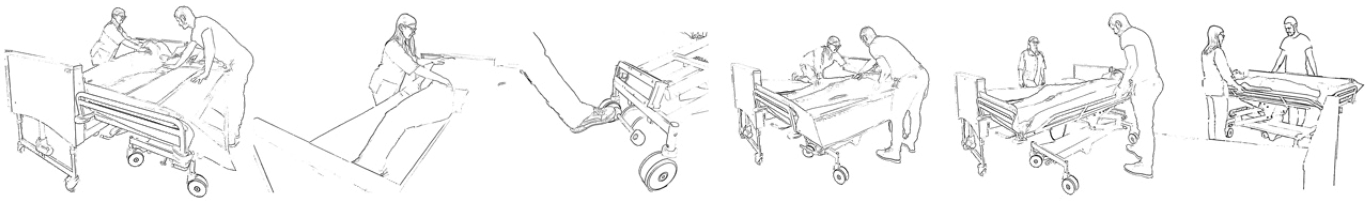


Brakes and straight steering

Push the lever in the lower position to brake the casters. Lift the lever into middle position to unlock the casters. Lift the lever into the upper position to lock front left caster into transport direction for straight steering and easy manoeuvring.



Step-by-step use



WARNING

- To avoid injury, always lock the central brake when trolley is stationary. (See Fig. 1)
- To prevent patient falls or caregiver injuries make sure that there are two caregivers present during the transfer of a patient if this is necessary according to the patient state.
- To avoid injury, make sure that the patient is not left unattended at any time.
- To avoid injury during patient transport and shower, pull the side rails up to lock them in the vertical position before transporting and showering the patient. (See Fig. 2)
- To prevent cross-contamination, disinfect regularly between each use.
- To prevent patient from drowning, always keep patient head above the water and make sure that there are two or more caregivers present during patient bathing.
- To avoid body injury, do not reach under the headrest with hand.



Fig. 1



Fig. 2

MAINTENANCE

The product is recommended to be cleaned and/or disinfected regularly between each use, if necessary, or daily, as a minimum. Clean the product with a damp cloth using warm water and a disinfectant cleaner. The shower trolley has a removable PVC coated mattress which must be washed and cleaned after each use. Make sure to have the Material Safety Data Sheets (MSDS) available for the disinfectant being used. **NOTE:** Be careful with using alcohol-based detergents higher than 40%, otherwise the upper flat may be damaged.

Do not use detergents containing solvents, such as trichlorethylene. This can damage the PVC upper flat pad. Do not use disinfectants based on iodine they can leave marks. Finally, the material should be rinsed with warm water and wiped with dry cloth.

Safety and technical checks

Pursuant to the "Medical Product Act" the safety and technical checks should be carried out once a year.

Repairs, service and spare parts

In case of technical problems, please, contact StaebeL or your local StaebeL representative.